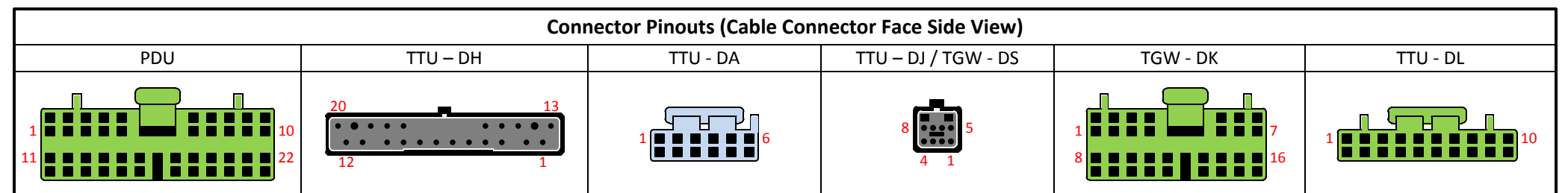
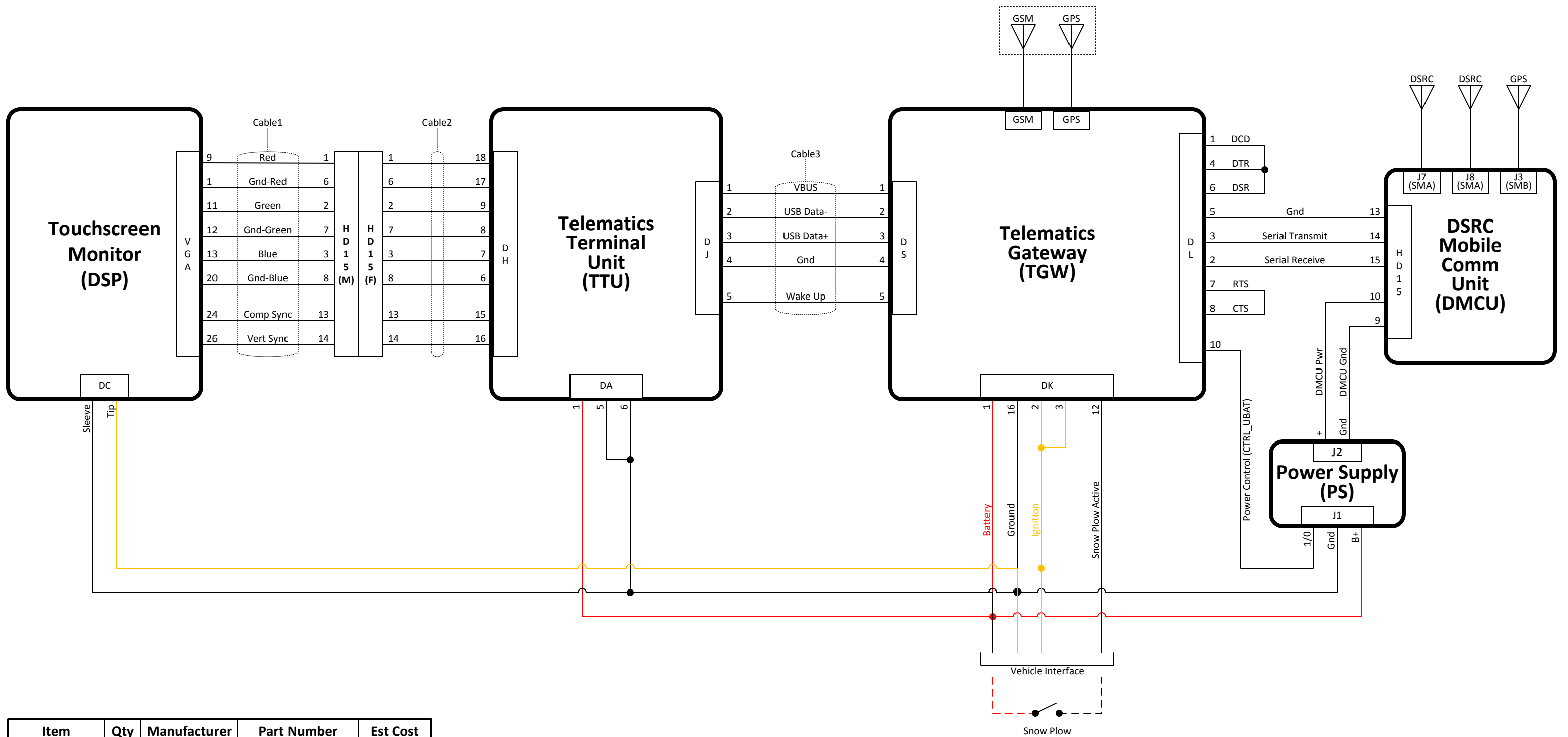
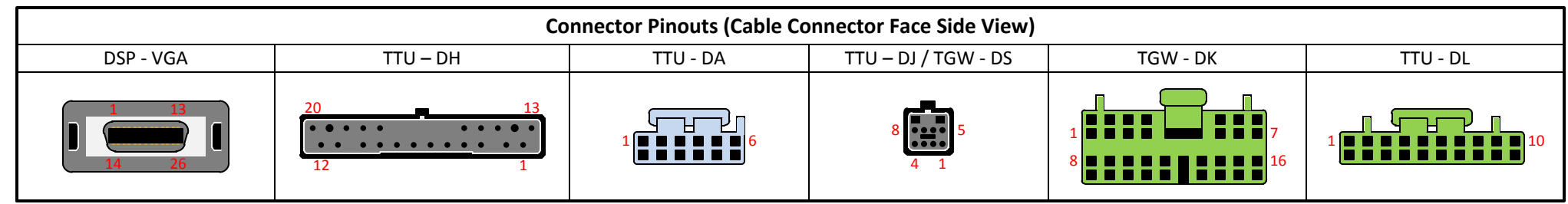


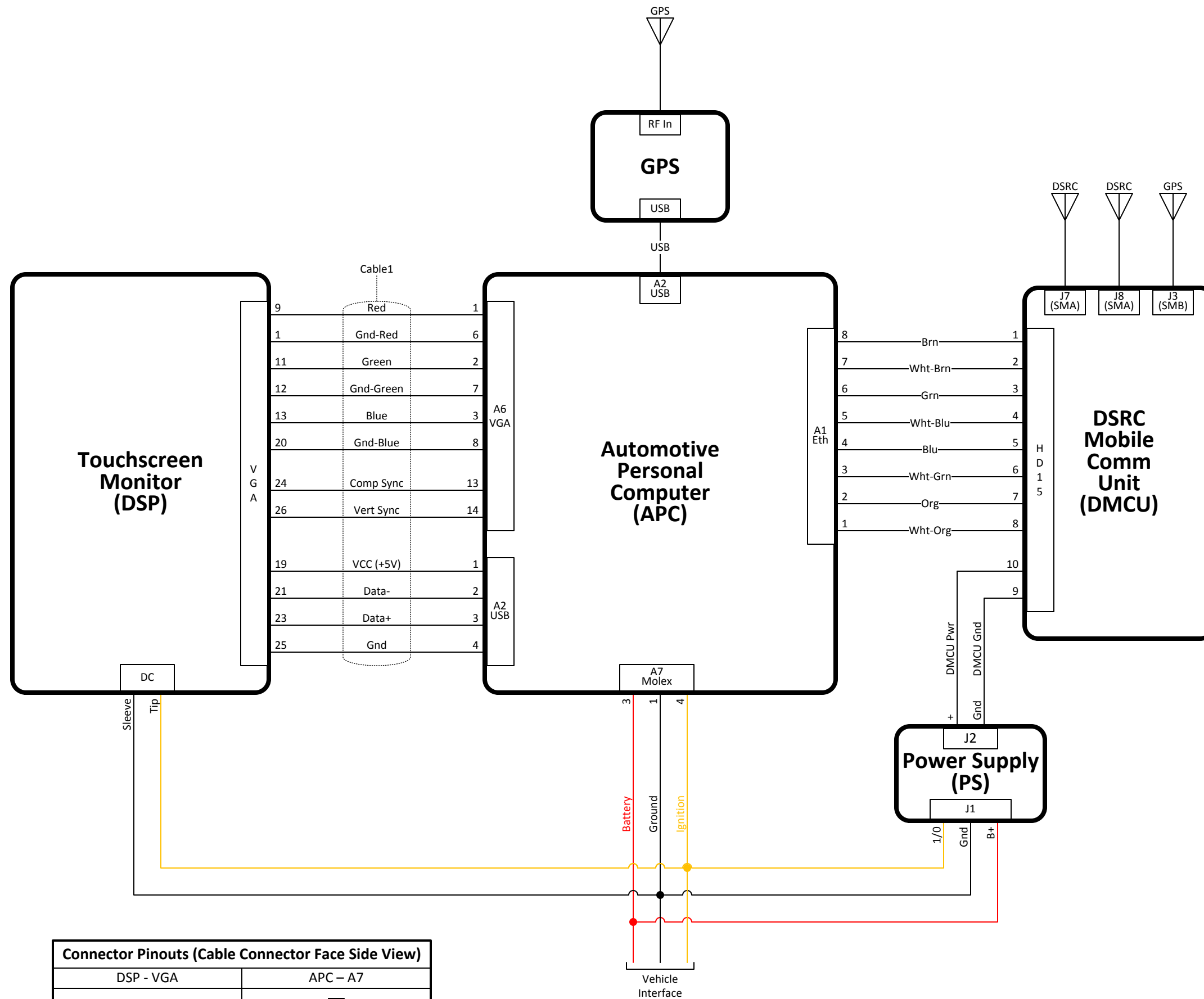
Item	Qty	Manufacturer	Part Number	Est Cost
PDU	1	Volvo	3198024	\$250
TTU	1	Volvo	21034575	\$300
TGW	1	Volvo	21284312	\$300
DMCU	1	Kapsch	MCU-01	\$3,000
PS	1	Opus Solutions	DCL11-5V	\$50
DSRC Ant	2	Mobile Mark	ECOM9-5500	\$250
GPS Ant	1	ACC	GPS-P1MAL	\$25
GSM/GPS Ant	1	Hirschmann	HCEL-AG-0104A-02	\$50
Cable1	1	Volvo	21082015	\$50
Cable2	1	Volvo	20885519	\$15





Item	Qty	Manufacturer	Part Number	Est Cost
DSP	1	Xenarc	700TSV	\$350
TTU	1	Volvo	21034575	\$300
TGW	1	Volvo	21284312	\$300
DMCU	1	Kapsch	MCU-01	\$3,000
PS	1	Opus Solutions	DCL11-5V	\$50
DSRC Ant	2	Mobile Mark	ECOM9-5500	\$250
GPS Ant	1	ACC	GPS-P1MAL	\$25
GSM/GPS Ant	1	Hirschmann	HCEL-AG-0104A-02	\$50
Cable1	1	Xenarc	[Included w/700TSV]	---
Cable2	1	Volvo	21082015	\$50
Cable3	1	Volvo	20885519	\$15





Item	Qty	Manufacturer	Part Number	Est Cost
DSP	1	Xenarc	700TSV	\$350
GPS	1	UBlox	EVU-6H	\$250
APC	1	Logisys	M645FC	\$1300
DMCU	1	Kapsch	MCU-01	\$3,000
PS	1	Opus Solutions	DCL11-5V	\$50
DSRC Ant	2	Mobile Mark	ECOM9-5500	\$250
GPS Ant	2	ACC	GPS-P1MAL	\$50
Cable1	1	Xenarc	[Included w/700TSV]	---

