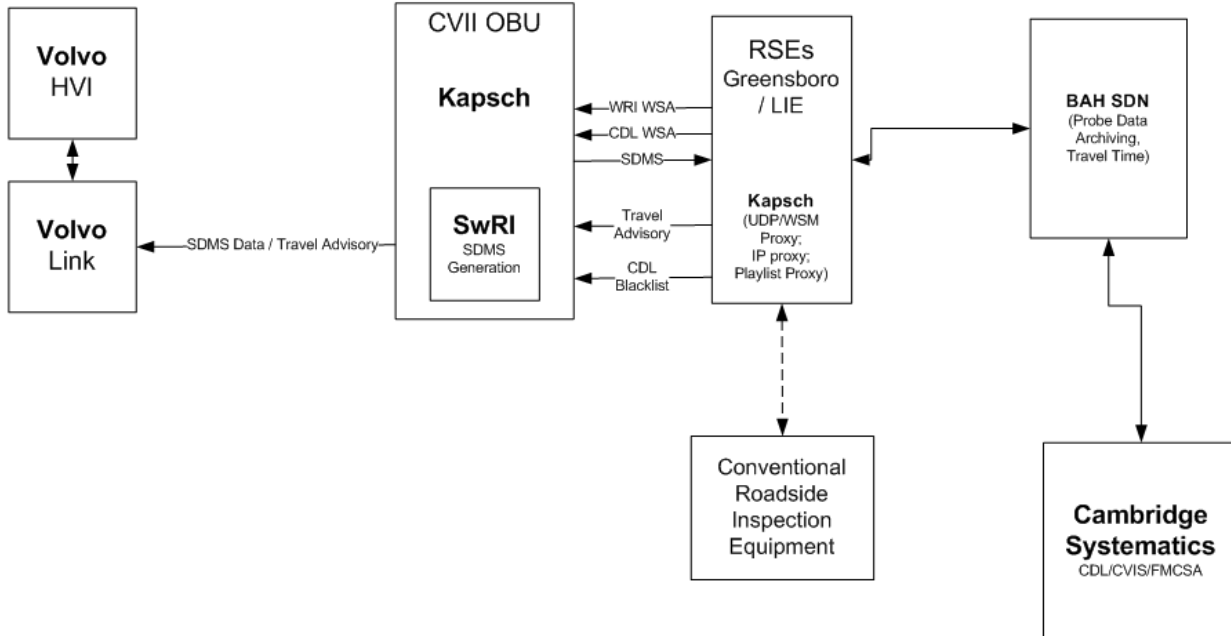


## 2009 CVII Task 3/4 Detailed Project Architecture

29 June 2009



**kapsch** >>>